

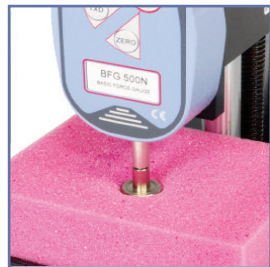
## ValuTest-L

### Manual Test Stand

- 110 lbf (500 N) capacity
- Easy-to-use
- Quick-acting lever
- Economical solution
- Compact and portable
- Rugged and reliable



Tensile testing



Compressive testing



Aerosol actuation



Tool testing

versatile  
economical  
easy-to-use



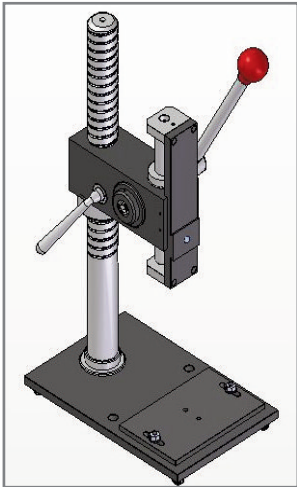
Shown with CFG<sup>+</sup> (not supplied) digital force gauge  
(Can also be supplied with BFG digital force gauge)

The ValuTest-L, combined with a Mecmesin Basic Force Gauge (BFG) or Compact Force Gauge<sup>+</sup> (CFG<sup>+</sup>), provides solutions for repetitive tensile and compressive testing in the production area or in laboratories. It is ideal for pull-off, push-in and push-out tests where quick comparative checks are required.

It is an accurate, precise and dependable instrument for use when simplicity, economy and fast results are important.

The ValuTest-L is very easy-to-use due to its quick-acting lever. Crosshead movement can be limited by an adjustable stop to ensure it travels to the same position for each test.

## Stand/Force Gauge Combinations



ValuTest-L

+



Basic Force Gauge (BFG)

+



BFG Bracket

or

+



Compact Force Gauge+ (CFG+)

+

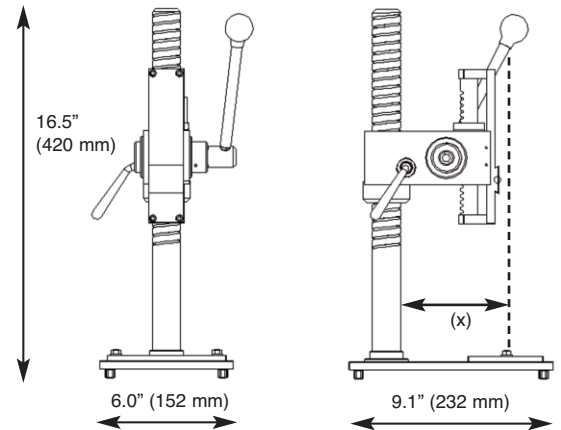


CFG+ Bracket

## Specifications

Daylight with BFG without accessories	13.1" (332 mm)
Daylight with CFG+ without accessories	13.9" (352 mm)
Effective travel without gage and accessories	6.7" (170 mm)
Maximum stroke	1.9" (47 mm)
Maximum load	110 lbf, 500 N, 50 kgf
Weight	20 lbs (9.2 kg)
Throat depth with BFG fitted (x)	5.3" (133.5 mm)
Throat depth with CFG+ fitted (x)	5.0" (126 mm)

## Dimensions



Mecmesin reserves the right to alter equipment specifications without prior notice

### North America

#### Mecmesin Corporation

45921 Maries Road, Suite 120,  
Sterling, Virginia 20166, U.S.A

e: info@mecmesincorp.com

t: 703 433 9247 f: 703 444 9860

www.mecmesincorp.com

datasheet ref: 431-005-02-L01